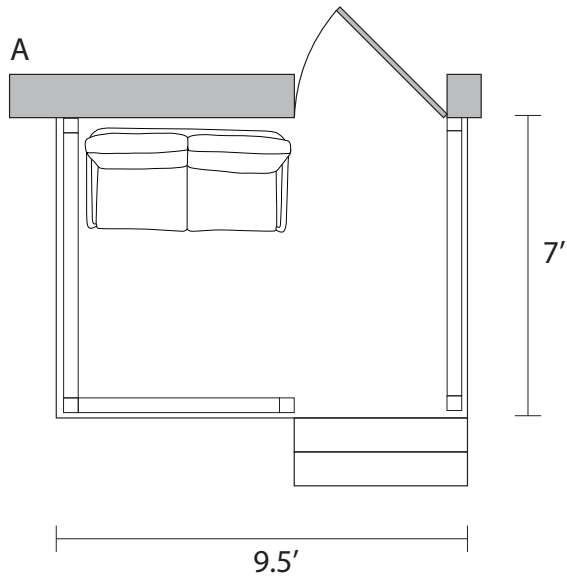


Front Porch: Example Plan Sizes

A cottage porch should have three exposed sides, be no shorter than 7 ft on any side, and be equal to or greater than 64 ft² in area. The ideal front porch has dimensions greater than 7 ft and has an area larger than 64 ft². Larger porches provide spaces to entertain and enjoy fresh air, allowing residents to socialize with neighbors passing through. Porches with stairs and doors situated on one end are ideal, as they do not create two separate spaces, therefore fostering a better layout for entertaining guests.



Example A

- 7 ft by 9.5 ft, area of 66.5 ft²
- Just over the minimum porch size and does not supply much space for outdoor furniture.

Example B:

- 7 ft by 14 ft, area of 98 ft²
- The stairway and door bisect the porch, creating two smaller spaces.

Example C:

- 19 ft by 14 ft, area of 26 ft²
- Unified space that is large enough for an outdoor table.

